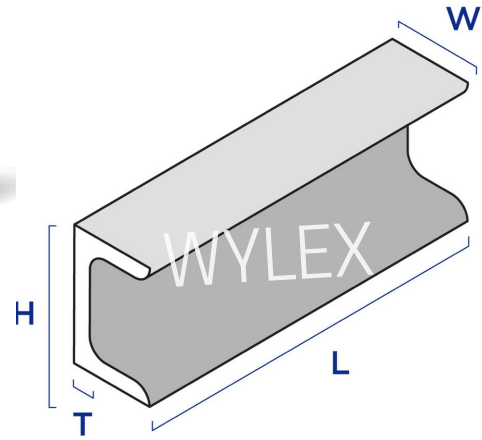
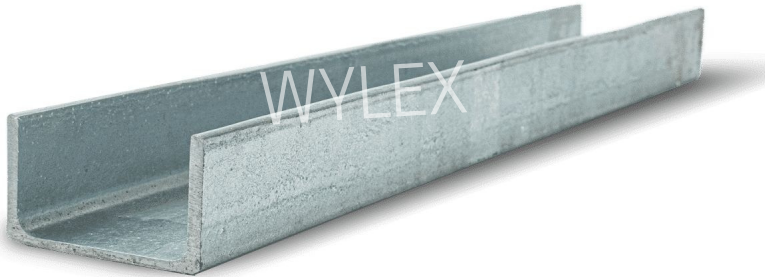




WYLEX ENTERPRISE SDN BHD

NO.27 JALAN UTAMA 1/10, TAMAN PERINDUSTRIAN PUCHONG UTAMA, (1134841-P)
47100 PUCHONG, SELANGOR

TEL:03-80601723 EMAIL: WYLEXYAP28@GMAIL.COM



Mild Steel C- Channel

- Size range : 1" - 3"
 Length : 6 Meter
 Material : Mild Steel
 Finish : Plain ; Black
 Galvanized : Hot Dip Galvanized
 Service : Recommended for vertical & horizontal pipeline support

A in mm	B in mm	T (Thickness) in mm	Tensile Strength Mpa (N/mm ²)	Length in Meter	Weight in Kg
75	40	4mm	420	6meter	33.00
75	40	5mm	420	6meter	42.20
50	100	4mm	430	6meter	44.00
50	100	5mm	430	6meter	57.00
75	150	6.5mm	430	6meter	113.40
75	150	9mm	430	6meter	146.40



WYLEX ENTERPRISE SDN BHD

NO.27 JALAN UTAMA 1/10, TAMAN PERINDUSTRIAN PUCHONG UTAMA, (1134841-P)

47100 PUCHONG, SELANGOR

TEL:03-80601723 EMAIL: WYLEXYAP28@GMAIL.COM

Mild Steel C- Channel

MS C- Channel			
Size	Kg / m	Kg / lgth	pcs / bdl
1" x 2" x 3.8	3.000	18.000	100
3" x 7" x 7.0	21.550	129.300	-
3" x 8" x 7.5	24.660	147.960	-
3" x 8" x 8.0	24.750	148.500	-
3" x 9" x 7.0	26.100	159.600	-
3½" x 12" x 8.0	36.100	216.600	-
3½" x 12" x 9.0	38.100	228.600	-
3½" x 5" x 7.0	23.900	143.400	-
3½" x 8" x 8.0	30.330	181.980	-
38 x 75 x 3.8	5.500	33.000	60/70
38 x 75 x 5.0	6.920	41.520	60
50 x 100 x 3.8	7.330	44.000	40/48
50 x 100 x 5.0	9.360	56.160	40/48
65 x 125 x 5.2	12.000	72.000	-
65 x 125 x 6.0	13.400	80.400	-
68 x 180 x 6.5	19.160	114.960	24/30
75 x 150 x 5.5	14.660	88.000	-
75 x 150 x 6.5	18.600	111.600	-
78 x 250 x 7.0	27.400	164.400	-
90 x 300 x 9.0	32.740	196.440	-
100 x 400 x 10.5	58.930	353.580	-

